



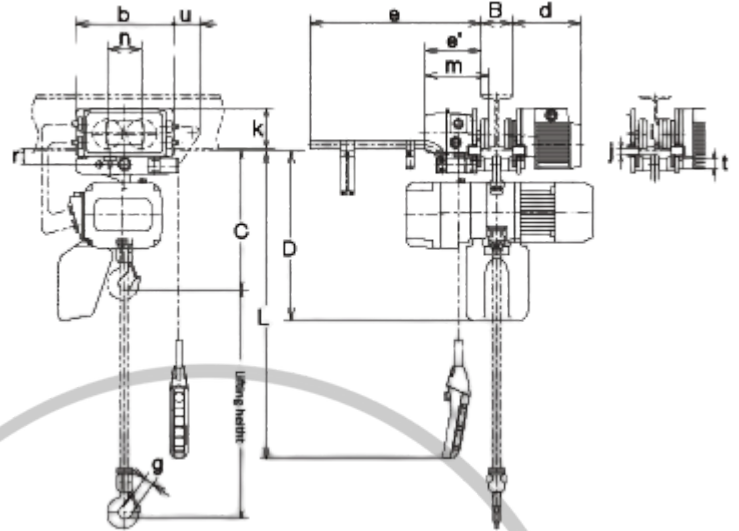
MIROLX KRANE
HOIST & CRANE COMPONENTS

ELECTRIC CHAIN HOIST





Model No.



SPECIFICATIONS

	Capacity (Ton)	Lifting Height (m)	Lifting speed (m/min)	Lifting Motor Power (KW)	Traveling speed (m/min)	Travelling Motor power (KW)	Net weight (kg)	
							Hoist	Trolley
MR-CH01-01	1	4	7.1	1.5	11/21	0.4	47	38
MR-CH02-01	2	4	7.0	3	11/21	0.4	91	44
MR-CH02-02	2	4	3.5	1.5	11/21	0.4	54	44
MR-CH03-01	3	4	7.0	3.6	11/21	0.75	104	55
MR-CH03-02	3	4	3.5	3	11/21	0.75	108	55
MR-CH05-02	5	4	3.5	3.6	11/21	0.75	132	77

The advantages of Inverter used in electric chain hoist:

Motor realize soft start, reduce the start moment shock to the electric grid current. At the same time, the motor is not easy heating up, increase the working life and working duty of motor, smoothly start reduce the shock to equipment after installed frequency inverter, especially installed debugging mould and other high-precision equipment , more stable and safety.

SIZES

Model No.	Capacity (Ton)	C	D	a	b	d	e	e	g	k	The min gyration radius	Suitable I-beam width
MR-CH01-01	1	450	550	650	315	220	515	179	31	Φ7.1	1000	80-300
MR-CH02-01	2	535	630	780	325	225	520	184	39	Φ10.0	1200	80-300
MR-CH02-02	2	565	630	650	325	225	520	184	39	Φ7.1	1200	80-300
MR-CH03-01	3	590	630	780	340	226	520	186	44	Φ11.2	1300	100-300
MR-CH03-02	3	740	630	780	340	226	520	186	44	Φ10.0	1300	100-300
MR-CH05-02	5	850	800	780	400	281	528	192	47	Φ11.2	1800	100-300

Safety and reliable brake device

Pound electromagnetic motor braker, scientific structure, low failure ratio, strong braking force guarantee the braking requirements when use.

Air cooling type motor can work at harsh environment. Motor shell is aluminum mould press casting type. The special heat fins of air cooling type motor can lighten the temperature rising, adapt to high frequency work.

Special guide chain system

Guide chain mechanism is the special design by VOHOBOO, ensure chain lift smoothly.

Low noise gear structure

Helical gear reduce running noise.

Direct wiring

Easy for installation and maintenance.

Solid and durable quality chain bag

Adopts specially processed canvas chain bag.

G80 alloy steel chain

VOHOBOO adopts alloy steel chain based on many years manufacture experience, with anti strain, anti wear and anti corrode performance.

Anti transverse deviation (For up and down hooks)

Hooks with protective tongue (with bearing)

The hook will gradually deformation if overload, but it will not broken suddenly.

The tongue fin will not happen deviation at transverse direction, increased working life.

Special design, excellent operating performance and durable.

Corresponding to lack voltage protection requirements.

Button controller control voltage 24V, 36V or 48V, with emergency stop button.



Connect shaft outlay type body

Disassemble up hook or connect shaft is very easy.

Aluminum press casting unified modeled body

Light and solid.

Dust proof, one-time cast aluminum molding case (IP55)

Imported contactor

Durable, reduce maintain cost (Optional)

Friction clutch

VOHOBOO developed interior configured friction clutch anti over roll device make motor idling at the situation that overload or hit top, so it can protect the hoist.

Up/down spacing switch

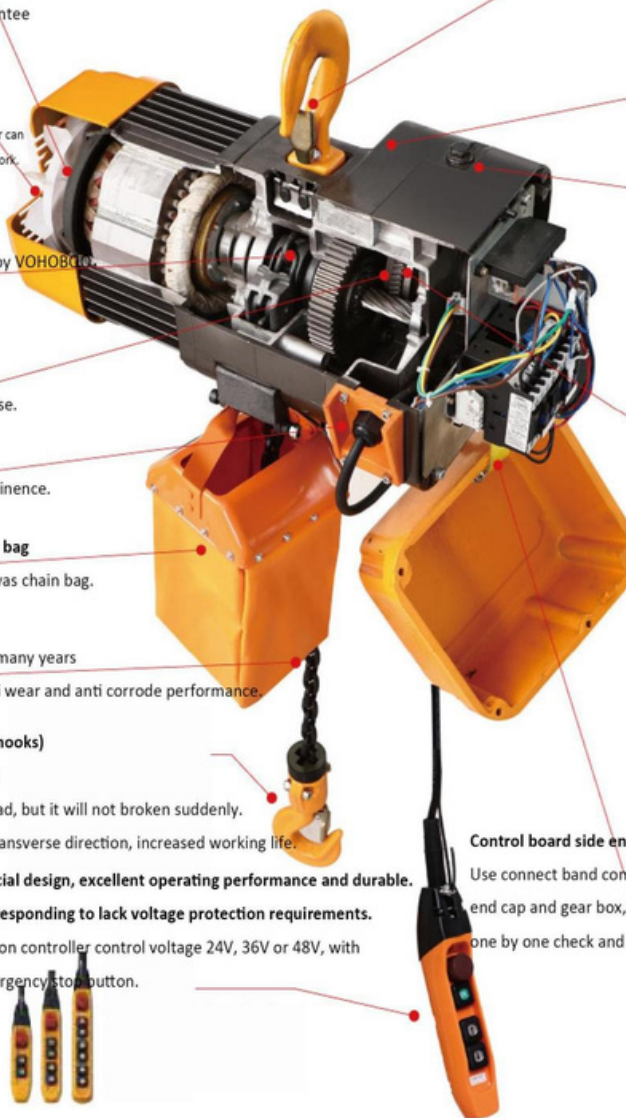
Form double safety mechanism with friction clutch. Cut off return circuit when over roll rising and over roll descending.



※Because it is safety mechanism under serious situation, so normal situation.

Control board side end cap installed connect band

Use connect band connect the control board side end cap and gear box, more convenient for one by one check and maintain.



WE ARE HERE FOR YOU





Belgium- Turkey- Iraq -Jordan -Eygpt-Cameron



MIROLX KRANE

HOIST & CRANE COMPONENTS

Generaal Lemanstraat 55/2 2019 Antwerpen
Belgium
www.miroloxcranes.com bg@miroloxcranes.com
Tel: +32 487 96 68 80, +32 456 22 76 98

TEM34 Tahtakale, Fırat1 Cad.
No:6/10 Dükkan No:164
Ispartakule/Istanbul
+90 212 830 00 40
+90 552 527 77 74

